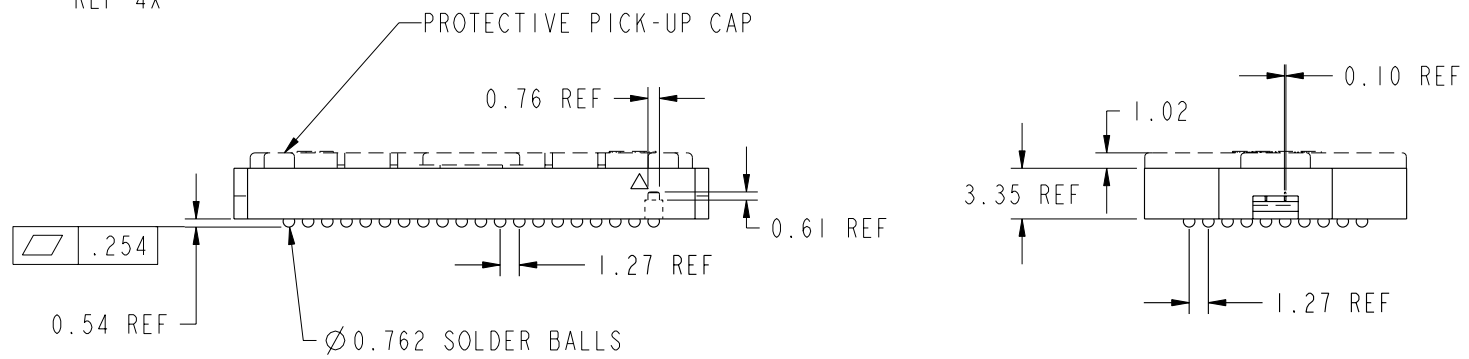
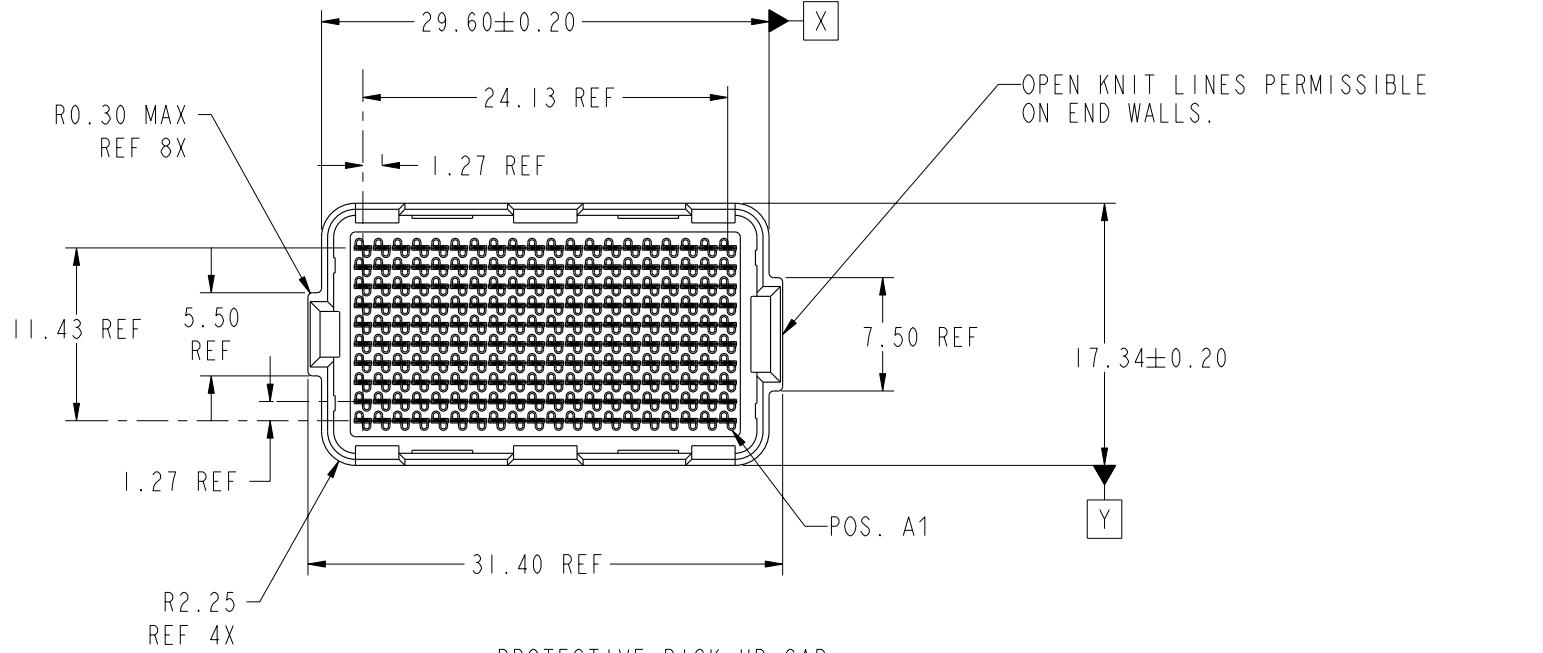




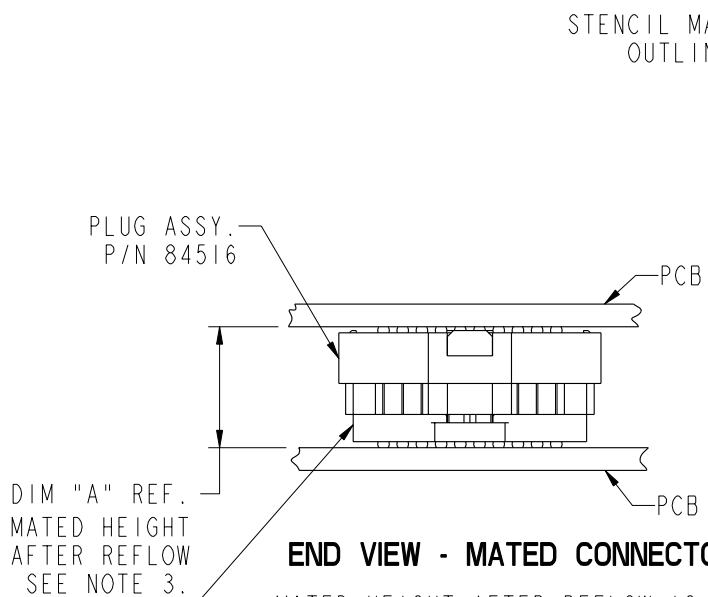
This document is the property of and embodies CONFIDENTIAL and PROPRIETARY information of FCI. No part of the information shown on this document may be used in any way or disclosed to others without the written consent of FCI. Copyright FCI.



NOTE 2

⌀	$\text{⌀}0.30$	X	Y
------------	----------------	---	---

mat'l code				SEE NOTE 1				tolerances unless otherwise specified				CUSTOMER		FCI		www.fciconnect.com	
ltr	ecn no.	dr	date	linear	0.X ±0.3				COPY		projection	title		product family		code	
A	V10242	DRW	11-15-01		0.XX ±0.10				MM			0mm PLUG ASSY.		MEG-ARRAY		213	
C	V03-0680	DAI	06/20/03	angles	0.XXX ±0.050				scale		A	size		sheet			
D	V04-0940	VS	10/09/04		0° ±2°				2:1			84516		1 of 5			
E	V06-0560	LP	2006/07/14	chr	J. KONTOS	11-15-01	enr	J. KONTOS	11-15-01	cage code		22526		4			
sheet index		revision sheet		E	E	E	E	E	E	Pro/E		3		B			
				1	2	3	4	5									



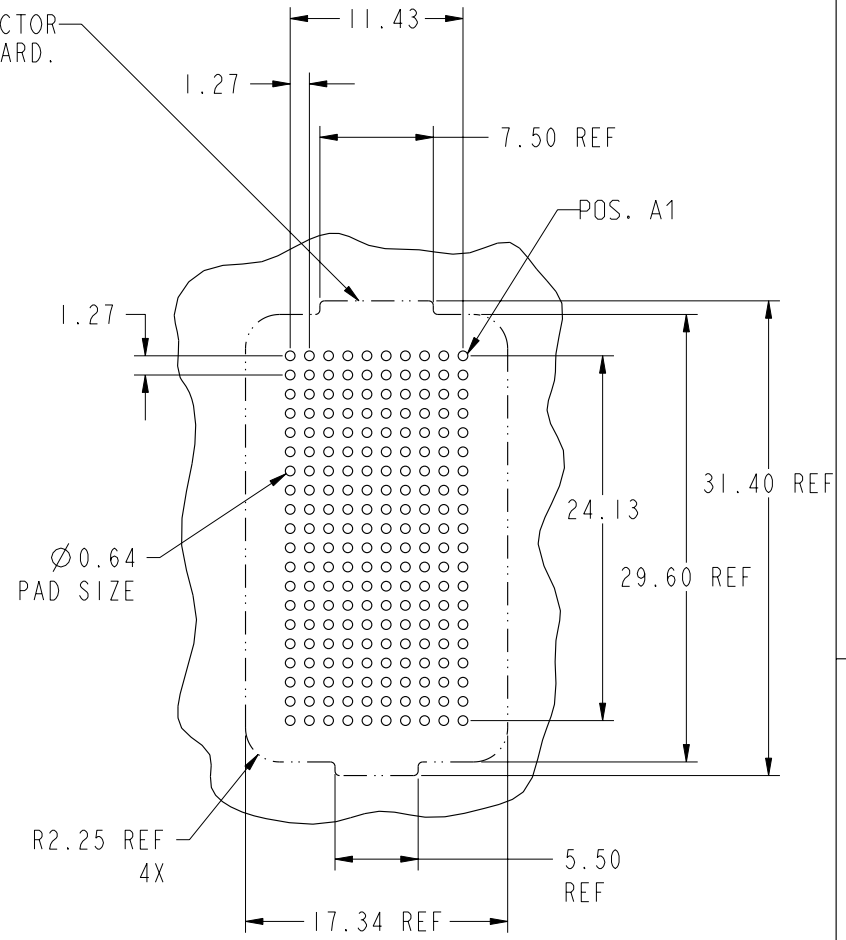
END VIEW - MATED CONNECTORS

MATED HEIGHT AFTER REFLOW IS BASED ON $\varnothing 0.64$ mm PAD (METAL DEFINED) AND 0.13mm SOLDER PASTE STENCIL THICKNESS. SEE NOTE 3.

RECPT. ASSY.
(SEE TABLE BELOW)

MATED HEIGHT TABLE		
DIM "A"	RECPT. ASSY. P/N	-2XX PLATING
4.0	84517	SEE NOTE 4
6.0	55724	SEE NOTE 5
8.0	84535	SEE NOTE 5

STENCIL MATED CONNECTOR
OUTLINE ONTO BOARD.



BOARD PATTERN

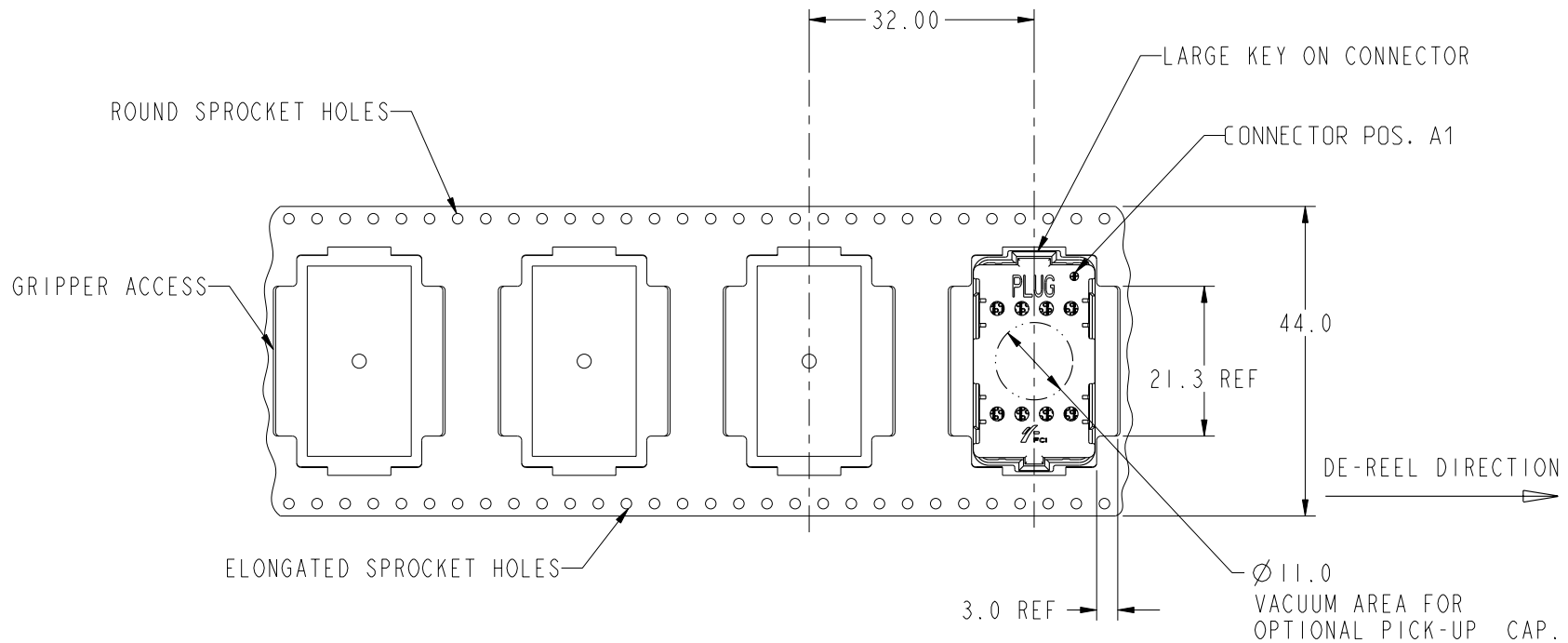


This document is the property of and embodies
 CONFIDENTIAL and PROPRIETARY information of FCI.
 No part of the information shown on this
 document may be used in any way or disclosed
 to others without the written consent of FCI.
 Copyright FCI.

mat'l code				SEE NOTE 1		tolerances unless otherwise specified		CUSTOMER		FCI www.fciconnect.com	
ltr	ecn no.	dr	date	linear		0.X ±0.3	projection	COPY		title	
E						0.XX ±0.10		0mm PLUG ASSY.		10x20=200 POS.	
				angles		0.XXX ±0.050		product family		code	
				dr	D. WAUGHEN	11-15-01	MM	MEG-ARRAY		213	
				engr	J. KONTOS	11-15-01	← MM →	size		sheet	
				chr	J. KONTOS	11-15-01	scale	A		2	
				appd	J. KONTOS	11-15-01	2:1	84516			
sheet index		revision sheet									



This document is the property of and embodies
 CONFIDENTIAL and PROPRIETARY information of FCI.
 No part of the information shown on this
 document may be used in any way or disclosed
 to others without the written consent of FCI.
 Copyright FCI.



TAPE & REEL PACKAGING
PER EIA 481-3

mat'l code		SEE NOTE 1		tolerances unless otherwise specified		CUSTOMER		FCI www.fciconnect.com	
ltr	ecr no.	dr	date	linear	0.X ±0.3	COPY		title	
E					0.XX ±0.10	projection		0mm PLUG ASSY. 10x20=200 POS.	
				angles	0.XXX ±0.050	MM		product family	
				dr	0° ±2°	← MM →		MEG-ARRAY	
				engr	D. WAUGHEN 11-15-01	scale		code	
				chr	J. KONTOS 11-15-01	1:1		213	
				appd	J. KONTOS 11-15-01			sheet	
sheet index		revision sheet						3	
								3	

cage code 22526

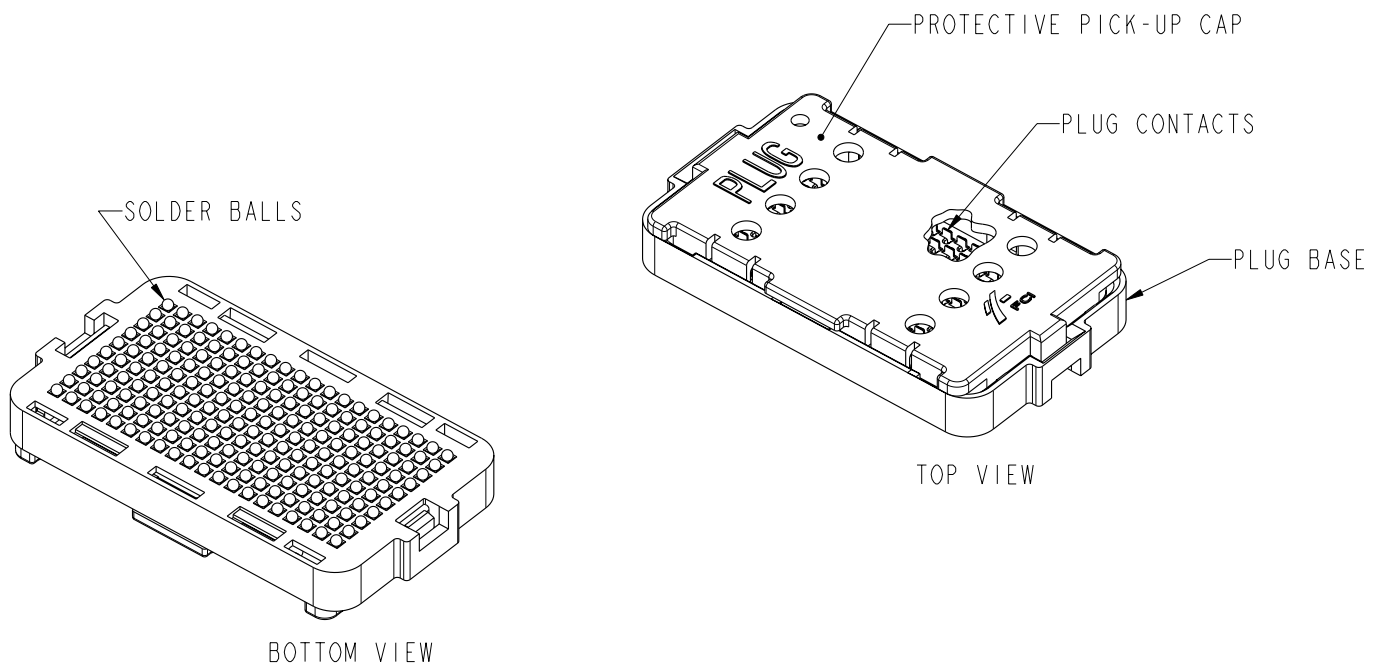
Pro/E

PDM: Rev:E

STATUS:Released

Printed: Jun 29, 2007

PRODUCT NO.	PICK-UP CAP		SOLDER BALL
84516-002	YES	15"(.38) Au OVER Ni	SnPb
84516-002LF			SnAgCu LEAD FREE (7)(8)
84516-102	YES	30"(.76um) Au OVER Ni	SnPb
84516-102LF			SnAgCu LEAD FREE (7)(8)
84516-202	YES	SEE MATED HEIGHT TABLE ON SHEET 2	SnPb
84516-202LF			SnAgCu LEAD FREE (7)(8)



This document is the property of and embodies CONFIDENTIAL and PROPRIETARY information of FCI. No part of the information shown on this document may be used in any way or disclosed to others without the written consent of FCI. Copyright FCI.

mat'l code		SEE NOTE 1		tolerances unless otherwise specified		CUSTOMER		www.fciconnect.com	
ltr	ecn no.	dr	date	linear	0.X ±0.3	projection	title		
E					0.XX ±0.10		0mm PLUG ASSY.		
				angles	0.XXX ±0.050		10x20=200 POS.		
				dr	0° ±2°	MM	product family	MEG-ARRAY	code
				enr	D. WAUGHEN 11-15-01		size	dwg no	213
				chr	J. KONTOS 11-15-01	2:1	A	84516	sheet
				appd	J. KONTOS 11-15-01				4
sheet index	revision sheet								


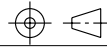
NOTES:

- ① MAT'L:
HOUSING: LCP
CONTACT: COPPER ALLOY

PLATING CONTACT: SEE TABLE ON SHEET 4
SOLDER BALL: SEE TABLE ON SHEET 4
EUTECTIC SnPb OR LEAD FREE
95.5Sn/4Ag/0.5Cu
- ② SOLDER BALLS WILL NOT BE PERFECT SPHERICAL SHAPE DUE TO REFLOW ATTACHMENT.
- ③ MATED HEIGHT EFFECTED BY CUSTOMER'S PCB PAD SIZE, PLATING, SOLDER REFLOW PROFILE & SOLDER PASTE.
- ④ PLATING FOR INDICATED -2XX SERIES PART NOS. MEETS THE REQUIREMENTS OF NORTEL NPS25298-2 (CENTRAL OFFICE ENVIRONMENT, 25 YEAR LIFE EXPECTANCY).
- ⑤ PLATING FOR INDICATED -2XX SERIES PART NOS. IS Au OVER Ni WITH SPECIAL CONTACT GEOMETRY TO MEET REQUIREMENTS OF TELCORDIA GR-1217-CORE: CENTRAL OFFICE ENVIRONMENT.
- 6. SEE SK-47384 FOR MATING RESTRICTIONS WITH EARLIER DESIGN VERSIONS.
- ⑦ FOR PROPER APPLICATION FOLLOW FCI APPLICATION SPECIFICATION GS-20-033. LEAD FREE SOLDER BALLS WILL NOT SOLDER PROPERLY IN A LEADED SOLDER PROSESS DUE TO A HIGHER REFLOW TEMPERATURE LEAD FREE PRODUCT IS THEREFORE NOT BACKWARDS COMPATIBLE WITH LEADED OR SOME SOLDERING APPLICATIONS. REFERENCE FCI FCI APPLICATION SPECIFICATION
- ⑧ THIS PRODUCT MEETS EUROPEAN UNION DIRECTIVE AND OTHER COUNTRY REGULATIONS AS DESCRIBED IN GS-22-008. PRODUCT MEETING THIS DIRECTIVE IS IDENTIFIED IN THE LOT CODE NUMBER MARKED ON EACH PART BY HAVING AN "X" IN THE SEVENTH CHARACTER POSITION



This document is the property of and embodies CONFIDENTIAL and PROPRIETARY information of FCI. No part of the information shown on this document may be used in any way or disclosed to others without the written consent of FCI. Copyright FCI.

mat'l code				material_code			tolerances unless otherwise specified			CUSTOMER		 www.fciconnect.com	
ltr	ecr no.	dr	date	linear				COPY		title 0mm PLUG ASSY. 10x20=200 POS.			
E	-	-	-					projection					
				angles									
				dr	D. WAUGHEN	11-15-01	MM		product family		MEG-ARRAY	code	
				enr	J. KONTOS	4-17-01	← MM →		size	dwg no	213		
				chr	J. KONTOS	11-15-01	scale		A	84516	sheet		
				appd	J. KONTOS	11-15-01	2:1		5				
sheet index		revision sheet											